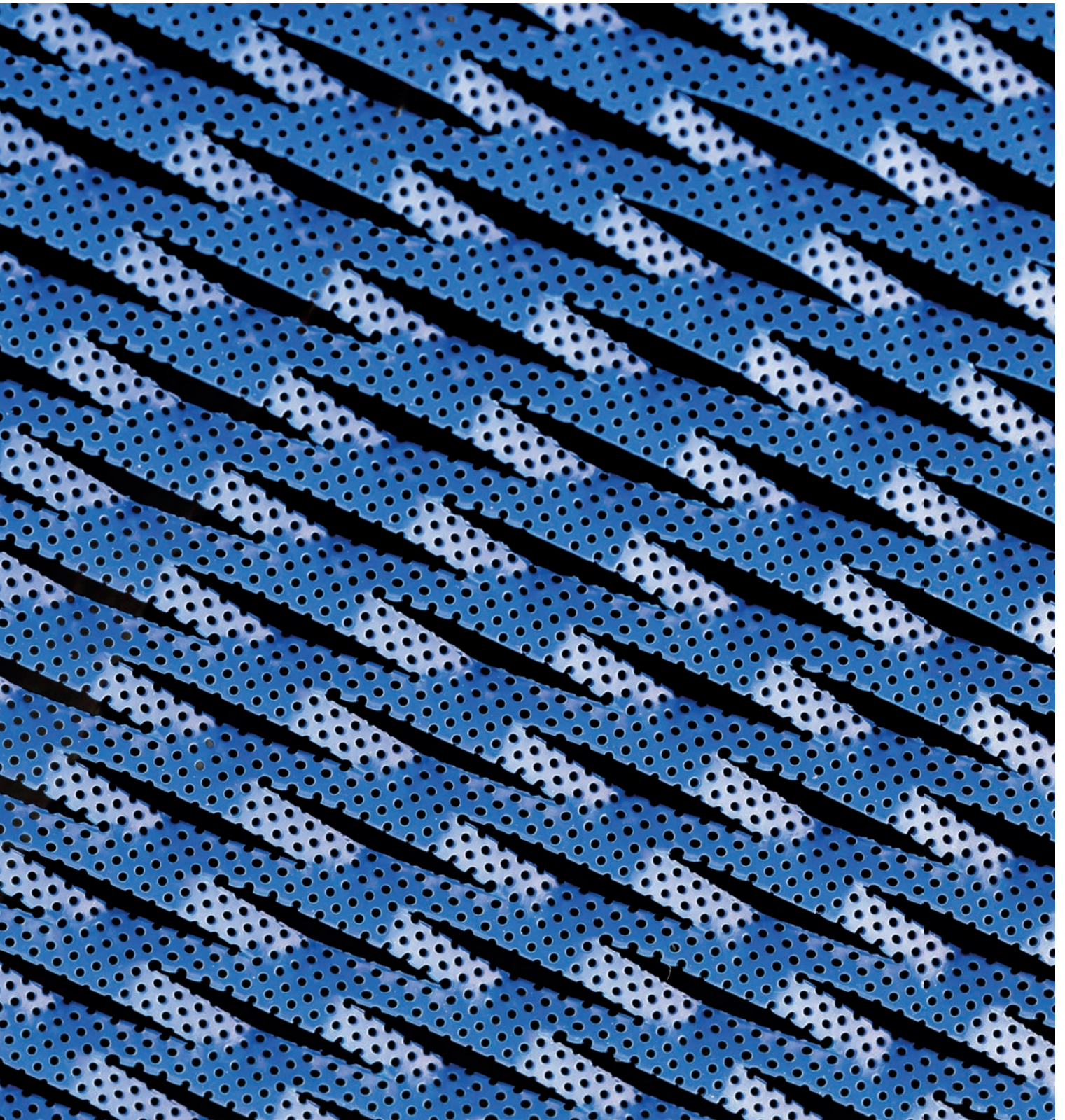


# PERFOMESH



# PerfoMesh

Our new and innovative **PerfoMesh**,

Inspired by our proven expanded metal ceiling systems, and further refined with the addition of perforation techniques in order to provide a never seen before design.

Combining the 3D structure of metal expansion with the added texture of perforation holes leads the way to a unique and dynamic aesthetic, differentiating it self from all other products alike.

## Specifications

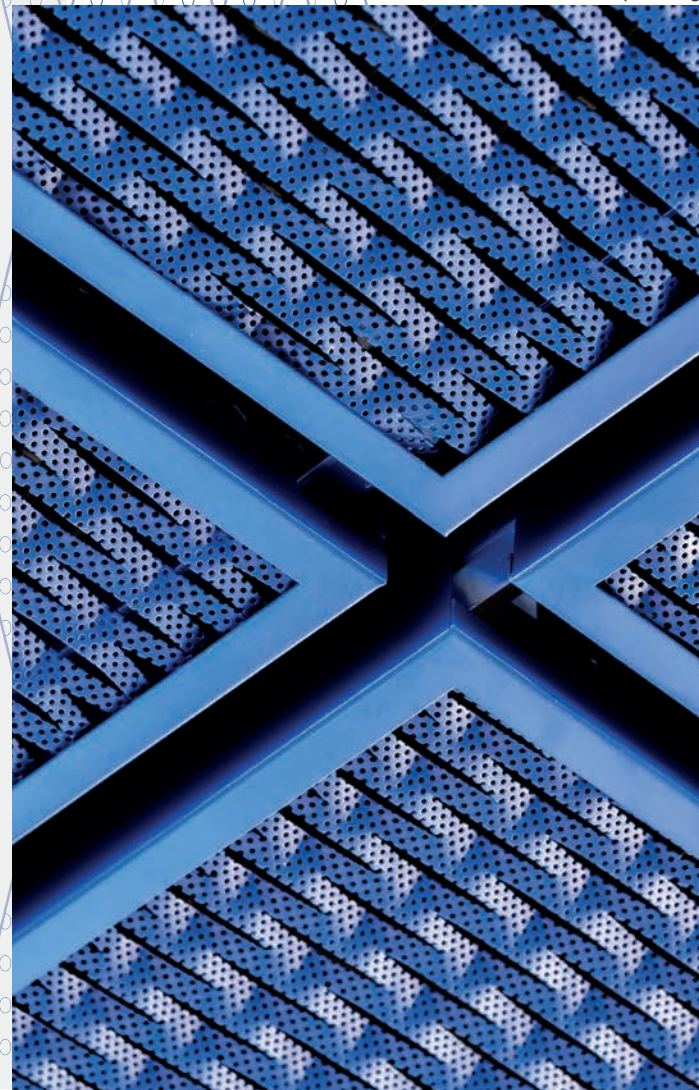
- 1,0 mm Galvanized Steel with Ø1,5 mm Diagonal Perforation
- Flattened or Un-flattened
- R60x20x7x1\* or R75x20x7x1\*

### System Possibilities\*

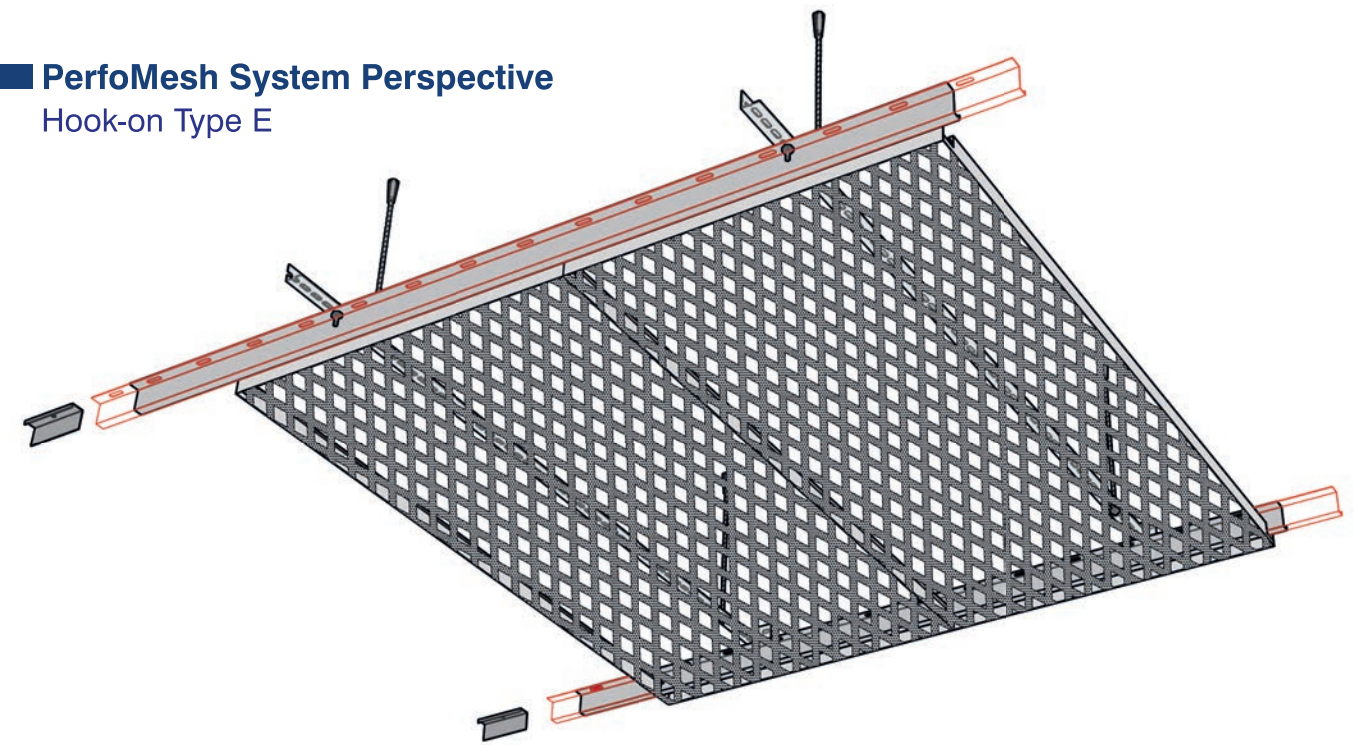
- Type C (Lay-in, Hook-on, Clip-in, Perspektä, Norma)
- Type D (Lay-in, Hook-on, Clip-in, Perspektä, Norma)
- Type E (Lay-in, Hook-on, Perspektä, Norma)

\* Please refer to our *Integra Metal Ceilings Catalog* pg. 62-63

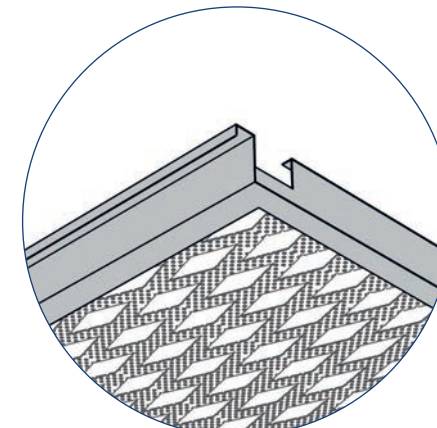
\*Patent pending



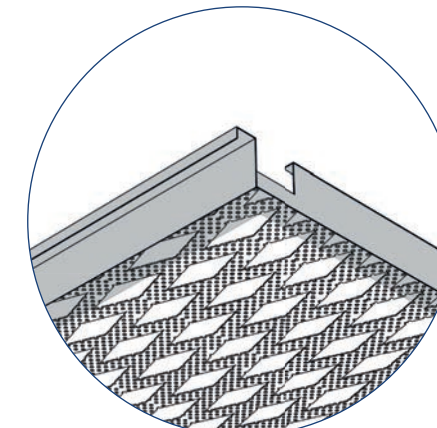
## PerfoMesh System Perspective Hook-on Type E



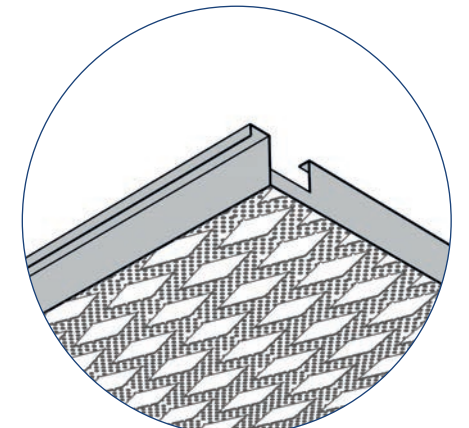
## Edge Types



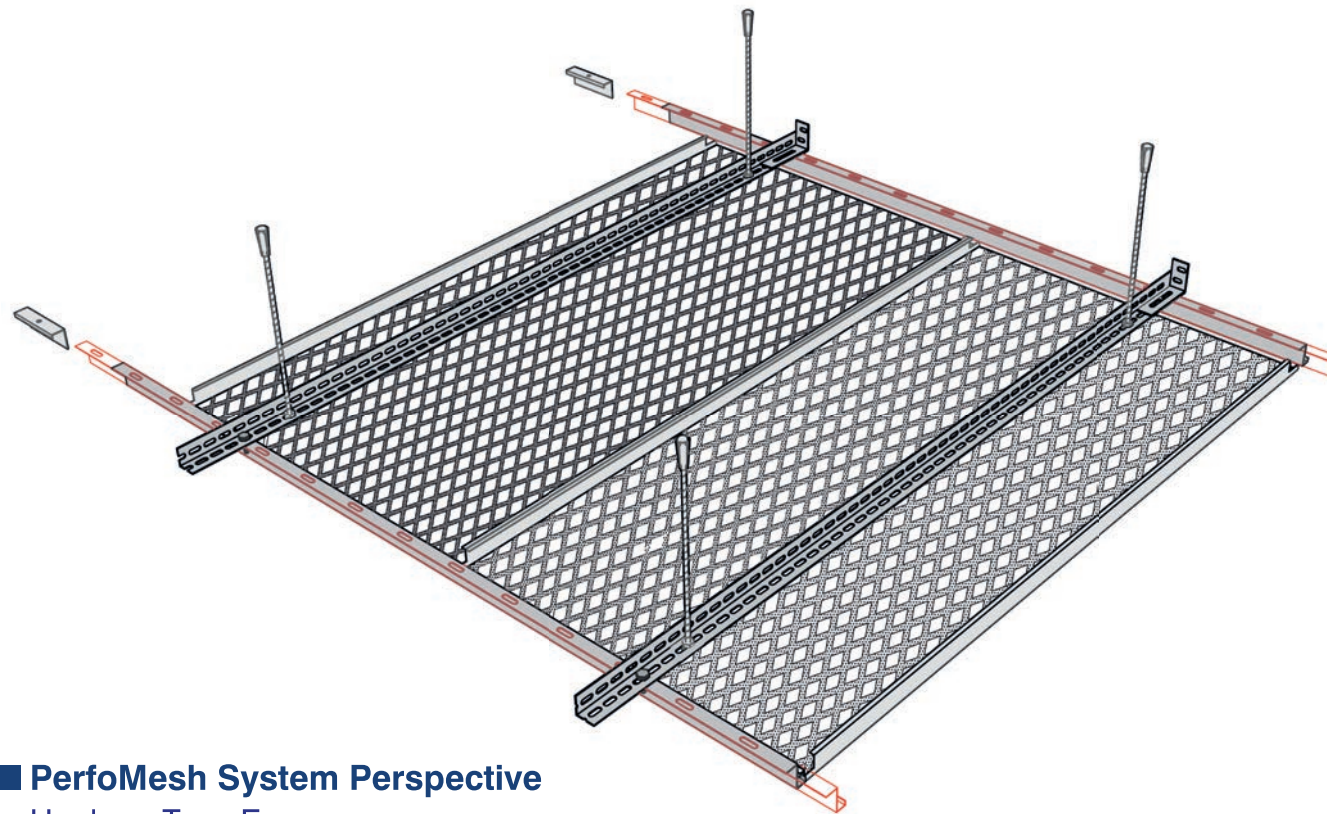
Type C



Type D



Type E



## PerfoMesh System Perspective Hook-on Type E



System on Display:  
 Hook-on Corridor Type C R60x20x7x1 PerfoMesh (1,5 mm Diag.) Un-flattened, RAL 5005  
 C Bandraster – 1,5 mm Perforated, RAL 5005, Fleece & Acoustic Pad, Dali-Push-Dim LED Integrated  
 Double Hook-on & Hook-on Profile